

# Similarity check \_ IoT-Based Garbage Container System Using NodeMCU ESP32 Microcontroller

*By Anthony Anggrawan*

# IoT-Based Garbage Container System Using NodeMCU ESP32 Microcontroller

Anthony Anggrawan, Sirojul Hadi, and Christofer Satria  
Universitas Bumigora, Mataram, Indonesia  
Email: {anthony.anggrawan, sirojuhadi, chris}@universitasbumigora.ac.id

**Abstract**—Most waste container lids still have to be manual and semi-manual to open and close the waste container's cover, so it reduces user convenience. Besides that, the unavailability of a control system for remotely detecting the fullness of the garbage container makes it difficult for cleaners to know whether the contents of the waste container are full or not. It means that it is necessary to build a control system that can automatically open and close the lid of the waste container and can detect the fullness of the waste container. Therefore, this study aims to conduct research and development (R&D) of an Internet of Things (IoT) control system to automatically open and close the lid of trash containers and detect the fullness of garbage in trash containers. This research method is a combination of experimental and survey methods. The research results show that the waste container control system effectively opens and closes the lid of the garbage container at a distance of about 40 cm between the distance ultrasonic sensor of garbage containers and users. In addition, the garbage janitor can monitor the level of garbage that is filled in the garbage container correctly through the website and telegram on his cell phone, and users of trash containers are more comfortable disposing of garbage.

**Index Terms**—internet of things, garbage container, microcontroller, IoT-based, control system

## I. INTRODUCTION

The garbage disposal container serves to provide a special place for everyone to dispose of garbage. Providing a receptacle for garbage disposal can maintain the beauty and cleanliness of the environment because the waste is not scattered everywhere. However, garbage is a major problem in cities with piles of garbage in the open due to failure to manage waste containers [1]. Improper waste management creates health problems and environmental pollution [2]. That is why overcoming the waste problem is urgent and crucial at this time [3]. The provision of adequate waste containers is one way that can prevent scattered trash. Generally, waste containers have a lid that is useful for avoiding odors from coming out of the garbage. Unfortunately, most trash containers are still manual to open and close the cover of the trash container when the user wants to throw the trash into the trash container. Indeed, some other garbage containers already have pedals to open the lid of the garbage

container by stepping on or pressing the pedal to open the cover of the garbage container when disposing of garbage, but it is still semi-manual. In other words, it is necessary to develop a trash can lid that can automatically open the cover to increase the practicality and convenience of users throwing garbage into the trash without pressing the pedal to disclose the trash can lid.

Besides that, as stated by previous researchers, the problem that arises in waste management is that no scheduling system can regulate cleaning workers to clean the trash when the trash in the container is full [4]. It means that the janitor does not know when the trash can is full [4]. Thus, it is also essential to know which bins are full of garbage so that the cleaners can immediately dispose of the waste at a garbage collection point (or incinerator or trash crusher, or trash recycling bin). In essence, emptying waste containers, especially those in public places such as stations, markets, and hospitals, needs to be done on time and disposed of at a garbage collection point. The timely transportation process is one way to help overcome the problem of garbage accumulation in garbage containers. Proper monitoring system mechanisms are necessary to support waste management [3]. In general, garbage janitors transport wastes based on a predetermined schedule [2]. So that when the garbage container is full, and at that time, it is not the time (not the schedule) for the garbage janitor to clean the garbage, then everyone's garbage disposal is no longer thrown in the garbage container [2]. In other words, delay in emptying trash containers that are already full of garbage in public places can disrupt the comfort and order of the community in disposing of waste in the waste container. However, if the garbage container janitor still has to check one by one which garbage containers are full of trash, this, of course, takes time to review and is inefficient. It means that it is necessary to develop a system to detect every full garbage container. Garbage bins based on intelligent applications and IoT provide factual time information for monitoring waste cleaners [5] [6]. Therefore it is not surprising that the researchers suggested the need for smart applications in waste management and IoT to overcome the waste problem [2]. The most effective method for preventing environmental problems in waste management is to utilize IoT technology and intelligent application systems [7].

Manuscript received August 17, 2021; revised December 6, 2021.

In addition, the latest study recommends the realization of an intelligent waste management system for collecting waste in its p[27] and timely disposal of waste in containers [8]. Therefore, the main objective of this research is to research and develop an IoT-based intelligent waste container using the microcontroller. The IoT-based smart waste container from the results of this study is very helpful in: The lid of the garbage container will automatically open and close when someone is going to throw out the trash; Provide a warning via Telegram on the mobile phone of the waste cleaning worker when the trash in the waste container is full; Provide a real-time graphic indicator of the level of fullness of the waste content in each waste container via the Web so that the cleaners know the speed of the fullness of the waste content of each trash container which must be first to be paid attention; and Provide convenience for everyone in terms of disposing of waste by automatically opening and closing the waste container.

The following is a brief literature review of [12] several scientific works related to this research article. Ryan T O'Connor, Dorothea C Lerman, and Jennifer N Fritz (2010) examined the effect of the location of the trash container on the attitude of students, staff, and guests in disposing of waste in public universities [9]. Previous research did not build a system to open and close the garbage container automatically and also did not detect the level of waste content in the garbage container. In contrast to the research in this article, building a control system to control the opening and closing of the garbage automatically opens when someone is about to take out the trash and closes the lid when someone finishes taking out the trash. In addition, the research in this article is based on IoT, when the garbage container is full, the sensor in the garbage container will inform via the internet [15] the control system that the garbage container is full. Arsa Priyo Rahardjo, Suraidi, and Hadian Satria Utama (2017) developed a sensor to open the lid of the garbage container automatically and provide a light indicator when the trash container is full [10]. This previous research has similarities with the research in this article in developing waste container controllers. The difference is that the previous studies did not build a remote control to ensure the full trash can. In contrast, the [20] role in this study has a remote control or IoT-based to detect that the garbage container is full. In other words, the advantage of the research in this article is that the janitor does not need to check to location whether the trash container is full or not. Instead, the janitor will receive a notification on his cell phone when the trash container is full. Fady E. F. Samann (2017) built a smart waste container that can give a warning when the trash can is full of garbage [11]. In contrast, the study of this article provided a warning notification of the fullness level of the waste container via Telegram and website. Furthermore, the previous research did not conduct a trial implementing smart waste containers built for users of garbage containers and the effect of garbage containers built for garbage container cleaners; Meanwhile, this research article pilots the implementation of smart waste containers which were built to assess the level of comfort

and changes in user compliance in disposing of waste in smart waste containers and the effect of smart waste containers on garbage container cleaners. In addition, the study in this article also has automation to open the lid of the garbage container when someone is going to throw out the garbage, which was not in the [31] previous research. Sandeep M. Chaware (2017) offered an IoT based system to monitor the fullness of trash cans and inform the time for garbage collection vehicles to collect garbage [12]. Previous research is different from the research in this article, in previous studies developing a system design project to collect waste on time, while the research in this article not only informs when waste collection is carried out, but also focuses on developing smart waste containers that can automatically open garbage containers. when someone takes out the trash and closes the trash receptacle when someone has finished taking out the trash. In addition, the research in this article has a different research method from the previous research. Theodoros Anagnostopoulos et al. (2017) presented the strengths and weaknesses of various ICT-based waste management models [13]. This previous study conducted a survey (review) of various earlier studies so that the research method was a literature study method. In contrast to the research in this article, conducting experimental research to build IoT-based smart waste containers and conducting field trials of smart waste containers developed on waste container users and garbage container cleaners to see the effect through surveys. Kellow Pardini et al. (2018) reviewed the possibilities of automation of waste management using IoT technology [6]. This previous research and the research in this article both paid attention to the problem of waste management. However, the difference is: the previous research was only a survey research to solve the problem of waste management; meanwhile, the research in this article combines experimental and survey methods to research and develop IoT-based smart waste containers. In other words, previous research did not build an intelligent waste container control system as research in this article except only analyzed the possibility of using IoT technology to automate waste management. Behzad Esmaeilian et al. (2018) showed some examples of electronic waste control efforts to offer the suitability of implementing sensor-based intelligent waste management systems [5]. However, the previous research is a literature study, while the research in this article is an experimental and survey research.

In the mean time, Pujari Y. M. and Patil S. S. (2018) suggested methodologies and systems monitor trash containers and warn departments regarding the actions that need to be taken on waste in the trash [14]. The main focus of previous research was to introduce environmental hygiene with an easy-to-realize waste management and monitoring system. The difference between the research in this article and previous research is that the research in this article is a research that does not suggest a waste management and monitoring system as in the previous research, but rather builds an intelligent application system and hardware controller for IoT-based waste container management.

TABLE I. COMPARISON OF THIS ARTICLE'S WORK WITH PREVIOUS RELATED WORKS

Research by	Research method	Build Control System			Microcontroller type	Build Apps	Field trial trash system	Description
		IoT	Trash					
			Lid	Bin				
Ryan T O'Connor et al. (2010) [9]	Observation	No	No	No	None	No	No	It does not build an automatic system for opening and closing the garbage container lid and also does not detect the fill level in the garbage container
Arsa Priyo Rahardjo et al. (2017)[10]	Experiment	No	Yes	Yes	Arduino Uno R3 (ATmega328P)	Yes	No	Automatically opens the lid of the container and gives a light indicator when the bin is full and not IoT based
Fady E. F. Samann (2017) [11]	Experiment	No	No	Yes	Arduino Nano R3 (ATmega328)	Yes	No	This article built a smart waste container that can give a warning when the trash can is full of garbage
Sandeep M. Chaware et al. (2017) [12]	System design	Yes	No	Yes	Arduino ESP 8266	No	No	Propose a system to detect time for IoT based garbage collection.
Theodoros Anagnostopoulos et al. (2017) [13]	Survey	No	No	No	None	No	No	A literature study to describe the strengths and weaknesses of various ICT-based waste management models
Kellow Pardini et al. (2018) [6]	Survey	No	No	No	None	No	No	This article reviewed the possibilities of automation of waste management using IoT technology
Behzad Esmacilian et al. (2018) [5]	Review	No	No	No	None	No	No	This article focuses on a literature review to address environmental problems and waste management..
Pujari Y. M. and Patil S. S. (2018) [14]	System design	No	No	No	None	No	No	This article suggests a waste container monitoring methodology system
Teoh Ji Sheng et al. (2020) [15]	Experiment	Yes	No	Yes	Arduino Uno	No	No	This article realized a waste management system with LoRa communication protocol based on TensorFlow model.
Our research	Experiment and Survey	Yes	Yes	Yes	NodeMCU ESP32	Yes	Yes	Our research builds smart system to automatically open and close waste bin lids and control IoT based waste container content levels. The hardware and applications used are designs built by researchers. Researchers also conducted field trials on the smart waste container system that was developed..

Teoh Ji Sheng et al. (2020) offered embodiment of waste management system. However, this previous study used the LoRa communication protocol and TensorFlow object detection in building a waste management system [15]. In contrast to the research in this article, the NodeMCU ESP32 controller and ultrasonic sensor devices as well as the PHP and C programming languages, are used in building a waste container management system. Another difference between this article and the previous research is: the article in this study conducted a trial on smart waste containers that had been built which were not carried out by previous studies.

IoT is a future communication technology equipped with microcontrollers and other communication protocols [16]. In essence, various supporting devices accompany the IoT era, such as Arduino controller devices for monitoring and controlling other equipment [13]. IoT supports the realization of various intelligent application systems in multiple fields, including health, education, transportation, and the environment [17][18][19]. Besides that, the power of IoT is that it allows the merging of various technologies to create dynamic and efficient models [20], including collaboration with intelligent waste management applications. So it is no longer a secret nowadays; smart applications and IoT have become very dominant solutions to address the needs of managing

environmental problems, such as controlling the waste problem [21]. 23 of the environmental problems in most cities today is related to the problem of waste collection and waste disposal [11]. Therefore, the waste management system needs to be replaced with an intelligent system [22] and an IoT-based controller. Essentially, developing intelligent application systems and IoT is essential to overcome the garbage problem [23]. Maybe that is why previous researchers suggested conducting further research on waste disposal containers and landfills (O'connor, Lerman, & Fritz, 2010). Because in essence, sensor implementation on trash bins in collaboration with IoT technology allows real-time control and provides efficient results [24]. Although, previous research confirms, failures occurred to control the waste disposal containers available at various locations (O'connor et al., 2010). Therefore, researching and developing a control system for the waste disposal containers available at multiple locations is vital, and this research provides a solution to realize.

A review of several related works shows that this research is different from previous studies (as shown in Table 1); especially in terms of the method used is a combination of experimental and survey methods. Likewise, this study conducted a field trial on smart waste containers that were developed which were not carried out in previous studies. Another novelty of this research is the application program and electronic circuits along with other supporting devices that are built according to the

needs of this research. The application program built in this study uses the PHP and C programming languages.

A review of several related works shows that this research is different from previous studies (see Table 1); especially in terms of the method used is a combination of experimental and survey methods. Likewise, this study conducted a field trial on smart waste containers that were developed which were not carried out in previous studies. Another novelty of this research is the application program and electronic circuits along with the needs of this research. The application program built in this study uses the PHP and C programming languages.

The rest of this paper's writing organization is as follows: The second subsection discusses Research Methodology. The third sub-section describes the implementation of the research results and then ends with a conclusion sub-section that explains the findings obtained from the research, including suggestions for further investigation.

## II. METHODOLOGY

The method of this research is a combination of experimental and survey methods. The garbage container control system in this research had an intelligent application that is built using the programming languages so that the garbage container cleaning officer, via his cellphone or personal computer, can track (know) which garbage containers are full of garbage. There are various computer programming languages [26], each of which has advantages in developing the desired application program [27] [28]. This study uses the PHP and C programming language [22] to create intelligent application programs. The PHP programming language plays a role in realizing Web 2.0 application programs [29]. Meanwhile, the C programming language plays a role in programming the NodeMCU ESP32 with Arduino software IDE to function as a controller for other hardware work, such as sensors and servo motors. The NodeMCU ESP32 microcontroller has a role to control ultrasonic sensors, servo motors, and Wi-Fi in the process of opening or closing the trash can and detecting the level of garbage filling from the trash can. NodeMCU ESP32 is an Integrated Circuit (IC) chip equipped with Wi-Fi and Bluetooth functions. This study uses the survey method to collect quantitative data in the form of ordinal data. The number of survey sample data was 100 respondents who were randomly selected from the existing population. The survey was conducted to test the level of comfort and changes in the obedience of users (garbage disposal actors) in disposing of waste in the intelligent waste container built in this study.

## III. RESULT AND DISCUSSION

### A. Hardware and Design

The hardware realization is done by building a hardware block diagram and designing the hardware circuit board schematic according to the work flow of

the desired waste container control system. The Block diagram and schematic of the hardware circuit board of this research are as shown in Figures 1 and 2.

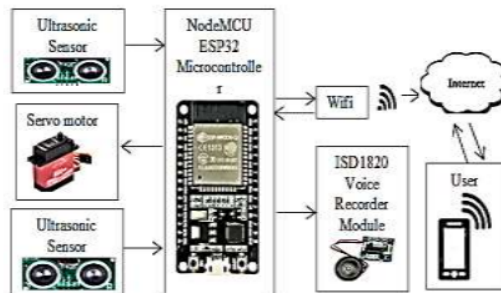


Figure 1. Electronic hardware block diagram

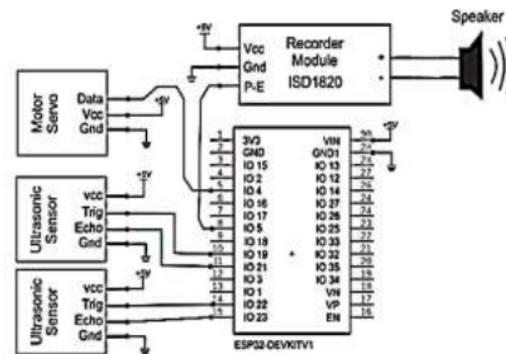
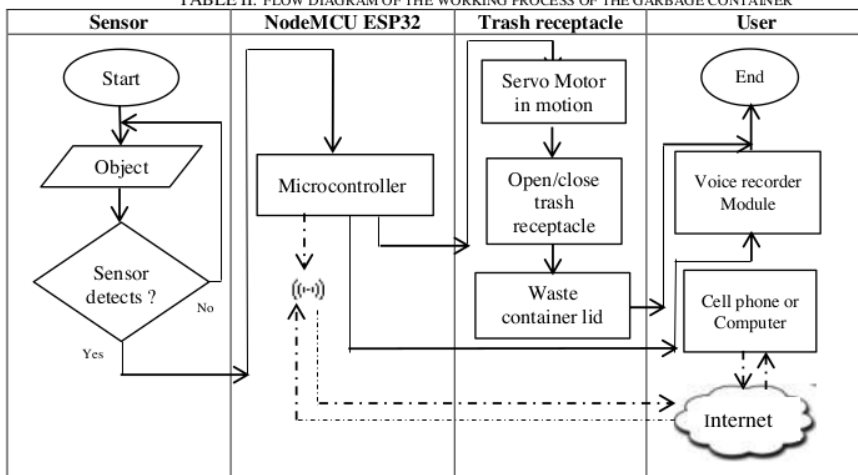


Figure 2. Hardware circuit board schematic

The workings of the system hardware that is built are as follows: The cellular phone of the garbage container janitor, via the internet network, obtains information from the waste container application system, which has been programmed in the NodeMCU ESP32 microcontroller when the garbage container is completely filled with garbage. The garbage container is mechanically and electronically connected to a microcontroller engine, servo motor, and ultrasonic sensor. The ultrasonic sensor detects an object (everyone who will throw garbage). It sends the results of the object detection to the NodeMCU ESP32 controller. Then the controller sends instructions to the servo motor (moving the servo motor) to open the trash container and issue a sound notification via ISD1820

Table 2 shows the flow diagram of the working process of the garbage container. When there are objects or people who approach the garbage container, the ultrasonic sensor in the garbage container will detect the object. With the thing detected by the sensor, the microcontroller will move the motor, and the motor movement will open the garbage cover. The trash cover will close five seconds later after the object is no longer detected. When someone throws trash, a notification appears in the form of a thank-you voice for throwing trash in the trash container. Then the microcontroller connected to the internet using Wi-Fi will send the percentage level of the waste content (via Telegram) in the garbage container and send the status of the contents

TABLE II. FLOW DIAGRAM OF THE WORKING PROCESS OF THE GARBAGE CONTAINER



of the garbage in the trash container in the form of a bar graph (via the website). In addition, at every certain periodic interval, the program on the microcontroller will send instructions to the voice recorder module to provide a sound notification of the recommendation to dispose of garbage in the garbage container.

**B. Waste Container Performance Test and Field Trial**

Figure 3 shows a front view of a prototype intelligent waste container. The ultrasonic sensor installed on the front side of the top of the garbage container serves to detect the presence or absence of human objects in front of the garbage container. Likewise, on the inside of the waste container cover, an ultrasonic sensor is mounted on the center side of the container lid to detect the waste content level in the garbage container. If the level of waste in the trash container is below 5%, a notification of the trash bin condition is still less than 5% filled. Meanwhile, if the trash content level in the trash container is above 90%, there will be a tone notification and a message that the trash container is full.



Figure 3. Prototype smart waste container built in research

The test results of the built automatic garbage container control system show: The ultrasonic sensor installed in the garbage container successfully detects a human object with a distance of 40 cm from the sensor distance from the garbage container. The servo motor automatically works well to open the lid of the garbage

container when the sensor has detected a human object near the garbage container. The garbage container cover will remain open as long as the human thing is still within the detection distance of the garbage container sensor. Cell phones and computers have succeeded in monitoring the percentage level of waste content in garbage containers via Telegram. Likewise, through a cellular phone or computer, it is possible to monitor the level of waste containers in the form of a bar graph via a website. Garbage bins also work by design in emitting a sound at intervals of every five minutes to prompt everyone to throw trash in the trash can.

The trial of implementing (field trial) an IoT-based smart waste collection system in a private university (for one month) in Indonesia shows: most students feel more comfortable throwing garbage and most students are more obedient in throwing garbage into smart waste containers. (see Figure 4 and Figure 5). The student's convenience in disposing of garbage in garbage containers with lids that have to be opened manually is only 14%. However, by replacing the garbage containers with garbage container covers that can open and close the garbage container automatically, the convenience of students in disposing of garbage in the trash can on-site waste increased to 100% (see figure 4).

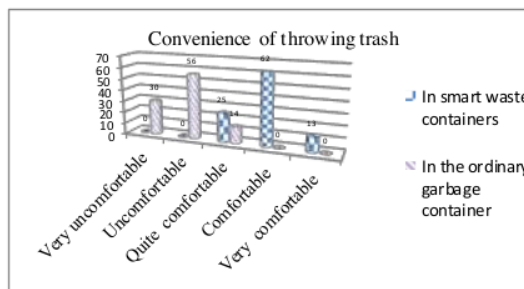


Figure 4. Student Perceptions regarding the Comfort Level of Disposing of Garbage in Smart Waste Containers

Student compliance in disposing of garbage in garbage containers with lids for garbage containers that

must be opened manually is only 31%, but after the garbage containers are replaced with garbage container covers that can open and close the garbage container automatically, student compliance in disposing of garbage in garbage containers increases to 56.5% (see figure 5). In addition, the trial of applying an intelligent automatic waste control system in opening and closing the garbage lid satisfied a garbage container cleaning worker. As a result, the garbage container cleaning workers no longer need to continuously control the fullness of the garbage containers at the trash location but can monitor the percentage level of waste content in garbage containers via Telegram.

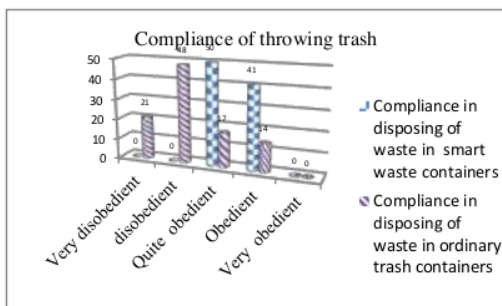


Figure 5. Students' Perceptions of Changes in Compliance Level for Disposing of Garbage in Smart Waste Containers

#### IV. CONCLUSION

This research concludes that NodeMCU ESP32 Microcontroller helps realize IoT-based automated intelligent waste control system. The intelligent automatic garbage control system in opening and closing the garbage lid makes it more convenient for many parties. Furthermore, it improves compliance with disposing of waste in the garbage container. Again, the IoT-based waste container control system can help waste disposal workers determine the level of waste content in trash containers below 5% and above 90%. In other words, garbage cleaning workers can immediately clean up trash containers already full of garbage.

This study conducts research that has never been done by previous researchers in researching and developing a smart garbage container system by combining experimental and survey research methods, based on IoT using the NodeMCU ESP32 microcontroller. The novelty of the research in this article in conducting trials in the use of smart waste containers reveals a significant increase in user comfort and compliance in disposing of waste in waste containers. The results of the smart garbage container trial also show job satisfaction for garbage container cleaning workers because garbage container cleaning workers no longer need to check whether the garbage is full or not, but can be monitored via cellphone which trash containers need to be cleaned.

This study has shortcomings in terms of not being able to distinguish and no notification of different messages on organic and inorganic waste; therefore, further study needs to be developed to correct the shortcomings of the results of this study. Besides that, the waste container that is the model in this research is

only a prototype without paying attention to the size of the garbage container, the harmonious appearance, production costs and hardware durability of the waste container, which should be a concern in further research.

#### REFERENCES

- [1] H. N. Saha *et al.*, "Waste management using Internet of Things (IoT)," *2017 8th Industrial Automation and Electromechanical Engineering Conference, IEMECON 2017*, no. March 25-28, pp. 359-363, 2017.
- [2] R. Khan *et al.*, "Machine Learning and IoT-Based Waste Management Model," *Comput. Intell. Neurosci.*, vol. 521, pp. 1-11, 2021.
- [3] P. K. S. Kumari, L. Jeewananda, R. Supunya, and V. Karunanayake, "IoT Based Smart Waste Bin Model To Optimize the Waste," *Univ. Moratuwa*, no. January 2018, pp. 359-363, 2019.
- [4] J. M. Fernández-González, C. Díaz-López, J. Martín-Pascual, and M. Zamorano, "Recycling organic fraction of municipal solid waste: Systematic literature review and bibliometric analysis of research trends," *Sustain.*, vol. 2, no. 11, pp. 1-15, 2020.
- [5] B. Esmailian, B. Wang, K. Lewis, F. Duarte, C. Ratti, and S. Behdad, "The future of waste management in smart and sustainable cities: A review and concept paper," *Waste Manag.*, vol. 81, pp. 177-195, 2018.
- [6] K. Pardini, J. J. P. C. Rodrigues, S. A. Kozlov, N. Kumar, and V. Furtado, "IoT-based smart waste management solutions: A survey," *J. Sens. Actuator Networks*, vol. 8, no. 1, pp. 1-25, 2019.
- [7] T. Anh Khoa *et al.*, "Waste Management System Using IoT-Based Machine Learning in University," *Wirel. Commun. Mob. Comput.*, vol. 2020, 2020.
- [8] S. O. Ajayi, L. O. Oyedele, M. Bilal, O. O. Akinade, H. A. Alaka, and H. A. Owolabi, "Critical management practices influencing on-site waste minimization in construction projects," *Waste Manag.*, vol. 59, pp. 330-339, 2017.
- [9] R. O'connor, D. Lerman, and J. Fritz, "Effects of Number and Location of Bins On Plastic Recycling at a University," *J. Appl. Behav. Anal.*, vol. 43, no. 4, pp. 715-715, 2010.
- [10] Arsa Priyo Rahardjo, Suraidi, and Hadian Satria Utama, "Perancangan Tempat Sampah Pembuka Tutup Otomatis dan Indikator Kapasitas," *Tesla*, vol. 19, no. 2, pp. 133-135, 2017.
- [11] F. E. F. Samann, "The Design and Implementation of Smart Trash Bin," *Acad. J. Nawroz Univ.*, vol. 6, no. 3, pp. 141-148, 2017.
- [12] P. D. S. M. Chaware, S. Dighe, A. Joshi, N. Bajare, and R. Korke, "Smart Garbage Monitoring System using Internet of Things (IoT)," *Int. J. Innov. Res. Electr. Electron. Instrum. Control Eng.*, vol. 5, no. 1, pp. 74-77, 2017.
- [13] T. Anagnostopoulos *et al.*, "Challenges and Opportunities of Waste Management in IoT-Enabled Smart Cities: A Survey," *IEEE Trans. Sustain. Comput.*, vol. 2, no. 3, pp. 275-289, 2017.
- [14] Y. Pujari and S. Patil, "Smart Garbage Monitoring System," *Int. J. Integr. Educ.*, vol. 1, no. 1, pp. 71-76, 2018.
- [15] T. J. Sheng *et al.*, "An Internet of Things Based Smart Waste Management System Using LoRa and Tensorflow Deep Learning Model," *IEEE Access*, vol. 8, pp. 148793-148811, 2020.
- [16] L. Atzori, A. Iera, and G. Morabito, "The Internet of Things: A survey," *Comput. Networks*, vol. 54, no. 15, pp. 2787-2805, 2010.

- [17] L. Sumi and V. Ranga, "Sensor enabled Internet of Things for smart cities," in *2016 4th International Conference on Parallel, Distributed and Grid Computing*, 2016, pp. 295–300.
- [18] H. Arasteh *et al.*, "Iot-based smart cities: A survey," in *IEEEIC 2016 - International Conference on Environment Electrical Engineering*, 2016, no. June.
- [19] T. Raaijen and M. Daneva, "Depicting the smarter cities of the future: A systematic literature review & field study," in *2017 Smart Cities Symposium Prague, SCSP 2017 - Proceedings*, 2017, pp. 1–10.
- [20] Z. Ou and X. Xie, "Research on vehicle bus network based on internet of things," in *Proceedings - 4th International Conference on Computational and Information Sciences, ICCIS 2012*, 2012, pp. 981–984.
- [21] F. Mattern, "From smart devices to smart everyday objects," *Proc. Smart Objects Conf.*, no. April, pp. 15–18, 2003.
- [22] M. O. Saeed, M. N. Hassan, and M. A. Mujeebu, "Assessment of municipal solid waste generation and recyclable materials potential in Kuala Lumpur, Malaysia," *Waste Manag.*, vol. 29, no. 7, pp. 2209–2213, 2009.
- [23] A. Zanella, N. Bui, A. Castellani, L. Vangelista, and M. Zorzi, "Internet of things for smart cities," *IEEE Internet Things J.*, vol. 1, no. 1, pp. 22–32, 2014.
- [24] H. Yuan, L. Shen, and J. Wang, "Major obstacles to improving the performance of waste management in China's construction industry," *Facilities*, vol. 29, no. 5, pp. 224–242, 2011.



# Similarity check \_ IoT-Based Garbage Container System Using NodeMCU ESP32 Microcontroller

---

ORIGINALITY REPORT

---

# 15%

SIMILARITY INDEX

---

## PRIMARY SOURCES

---

1	<a href="https://repository.unika.ac.id">repository.unika.ac.id</a> Internet	59 words — 1%
2	<a href="https://downloads.hindawi.com">downloads.hindawi.com</a> Internet	58 words — 1%
3	Lizhi Wang. "The Challenge and Prospect of Scalability of Blockchain Technology", 2021 5th International Conference on Computer Science and Artificial Intelligence, 2021 Crossref	56 words — 1%
4	<a href="https://repository.essex.ac.uk">repository.essex.ac.uk</a> Internet	44 words — 1%
5	Saranya A, Mukul Bhambri, Vinothkumar Ganesan. "A Cost-Effective Smart E-Bin System for Garbage Management Using Convolutional Neural Network", 2021 International Conference on System, Computation, Automation and Networking (ICSCAN), 2021 Crossref	43 words — 1%
6	<a href="https://pen.ius.edu.ba">pen.ius.edu.ba</a> Internet	37 words — 1%
7	David Carvajal-Arango, Sara Bahamón-Jaramillo, Paula Aristizábal-Monsalve, Alejandro Vásquez-	36 words — 1%

Hernández et al. "Relationships between lean and sustainable construction: Positive impacts of lean practices over sustainability during construction phase", Journal of Cleaner Production, 2019

Crossref

---

8 [www.hindawi.com](http://www.hindawi.com) 33 words — 1%

Internet

---

9 [www.studocu.com](http://www.studocu.com) 33 words — 1%

Internet

---

10 M. Dotoli, N. Epicoco. "Emerging Issues in Control, Decision, and ICT Approaches for Smart Waste Management", 2019 6th International Conference on Control, Decision and Information Technologies (CoDIT), 2019 29 words — 1%

Crossref

---

11 [arxiv.org](http://arxiv.org) 29 words — 1%

Internet

---

12 [www.ncbi.nlm.nih.gov](http://www.ncbi.nlm.nih.gov) 29 words — 1%

Internet

---

13 Assaf Arief, Dana Indra Sensuse. " Designing A Conceptual Model for Smart Government in Indonesia using Delphi 2 Round Validity ", 2018 International Conference on Advanced Computer Science and Information Systems (ICAC SIS), 2018 28 words — 1%

Crossref

---

14 Dushyant Kumar Singh, Rajeev Sobti. "Long-range real-time monitoring strategy for Precision Irrigation in urban and rural farming in society 5.0", Computers & Industrial Engineering, 2022 26 words — < 1%

Crossref

15	<a href="http://jurnal.harapan.ac.id">jurnal.harapan.ac.id</a> Internet	25 words — < 1%
16	<a href="http://www.aliyavari.com">www.aliyavari.com</a> Internet	24 words — < 1%
17	Himadri Nath Saha, Sourav Gon, Annesha Nayak, Samabrita kundu, Sumandrita Moitra. "Iot Based Garbage Monitoring and Clearance Alert System", 2018 IEEE 9th Annual Information Technology, Electronics and Mobile Communication Conference (IEMCON), 2018 Crossref	21 words — < 1%
18	<a href="http://journals.nawroz.edu.krd">journals.nawroz.edu.krd</a> Internet	19 words — < 1%
19	<a href="http://dspace.chitkara.edu.in">dspace.chitkara.edu.in</a> Internet	18 words — < 1%
20	<a href="http://www.mdpi.com">www.mdpi.com</a> Internet	18 words — < 1%
21	Longjiang Li, Jianjun Yang, Yuming Mao. "Evolution modeling of collective vehicles in vehicle ad hoc networks", 9th International Conference on Communications and Networking in China, 2014 Crossref	13 words — < 1%
22	Raden Muhammad Anshori, Guruh Samodra, Djati Mardiatno, Junun Sartohadi. "Volunteered geographic information mobile application for participatory landslide inventory mapping", Computers & Geosciences, 2022 Crossref	13 words — < 1%
23	Elena Friedrich, Cristina Trois. "Quantification of greenhouse gas emissions from waste	12 words — < 1%

management processes for municipalities – A comparative review focusing on Africa", Waste Management, 2011

Crossref

---

24 "International Conference on Intelligent Computing and Smart Communication 2019", Springer Science and Business Media LLC, 2020 11 words — < 1%

Crossref

---

25 [mdpi-res.com](https://mdpi-res.com) 11 words — < 1%

Internet

---

26 James Clovis Kabugo, Sirkka-Liisa Jämsä-Jounela, Robert Schiemann, Christian Binder. "Industry 4.0 based process data analytics platform: A waste-to-energy plant case study", International Journal of Electrical Power & Energy Systems, 2020 10 words — < 1%

Crossref

---

27 [ebin.pub](https://ebin.pub) 10 words — < 1%

Internet

---

28 "International Conference on Communication, Computing and Electronics Systems", Springer Science and Business Media LLC, 2020 9 words — < 1%

Crossref

---

29 L Megalan Leo., S Yogalakshmi., A Jerrin Simla., R.Thandaiah Prabu, P Sathish Kumar, G Sajiv.. "An IoT Based Automatic Waste Segregation and Monitoring System", 2022 Second International Conference on Artificial Intelligence and Smart Energy (ICAIS), 2022 8 words — < 1%

Crossref

---

30 Nicholas Chieng Anak Sallang, Mohammad Tariqul Islam, Mohammad Shahidul Islam, Haslina Arshad. "A CNN-Based Smart Waste Management System Using 8 words — < 1%

TensorFlow Lite and LoRa-GPS Shield in Internet of Things Environment", IEEE Access, 2021

Crossref

31 S. R. Jino Ramson, S. Vishnu, Alfred Kirubaraj, Theodoros Anagnostopoulos, Adnan Abu-Mahfouz. 8 words — < 1%  
"A LoRaWAN IoT-Enabled Trash Bin Level Monitoring System", IEEE Transactions on Industrial Informatics, 2022

Crossref

32 [www.neliti.com](http://www.neliti.com) 8 words — < 1%  
Internet

33 Teoh Ji Sheng, Mohammad Shahidul Islam, Norbahiah Misran, Mohd Hafiz Baharuddin et al. 7 words — < 1%  
"An Internet of Things Based Smart Waste Management System Using LoRa and Tensorflow Deep Learning Model", IEEE Access, 2020

Crossref

34 Marieh Talebkhah, Aduwati Sali, Mohsen Marjani, Meisam Gordan, Shaiful Jahari Hashim, Fakhrul Zaman Rokhani. 6 words — < 1%  
"IoT and Big Data Applications in Smart Cities: Recent Advances, Challenges, and Critical Issues", IEEE Access, 2021

Crossref

EXCLUDE QUOTES OFF

EXCLUDE SOURCES OFF

EXCLUDE BIBLIOGRAPHY OFF

EXCLUDE MATCHES OFF